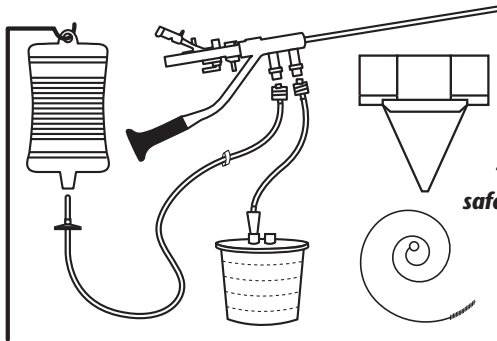




# Hysteroscopy Procedure Kits & Accessories

Protect Patient, Physician & Staff



*"Closed System" for safe disposal of liquids and body fluids*

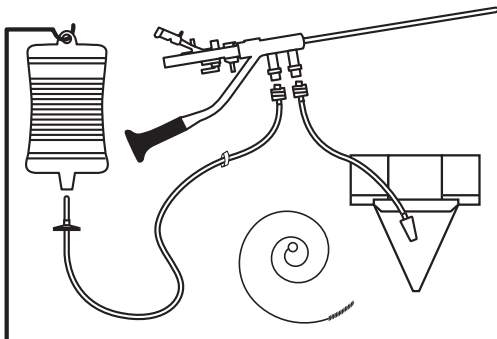
## **MAJOR Hysteroscopy Procedure Kit:**

qty: 5/box

**BR980-9515**

Includes:

- Hysto Tubing Set
- OB Drape w/Pouch
- Fluid Canister
- Endo Cleaning Brush



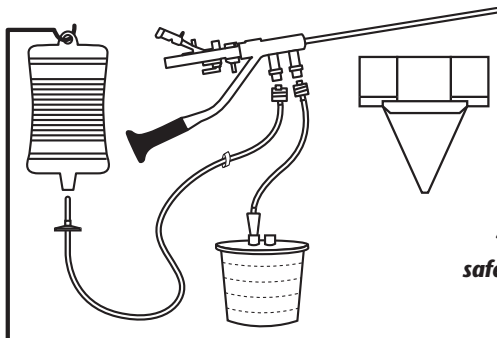
## **MINOR Hysteroscopy Procedure Kit:**

qty: 5/box

**BR980-9502**

Includes:

- Hysto Tubing Set
- OB Drape w/Pouch
- Endo Cleaning Brush



*"Closed System" for safe disposal of liquids and body fluids*

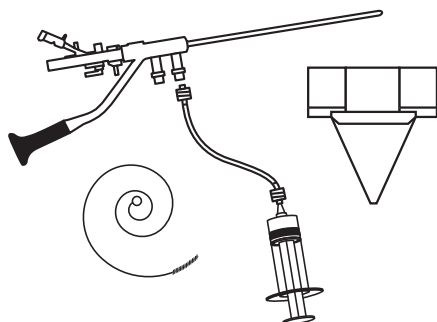
## **BASIC Hysteroscopy Distension Kit:**

qty: 5/box

**BR980-9500**

Includes:

- Hysto Tubing Set
- OB Drape w/Pouch
- Fluid Canister



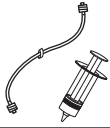
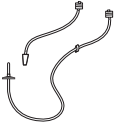
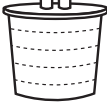

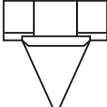

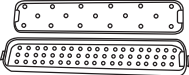




## **UNI-D Hysteroscopy Distension Kit:**

qty: 5/box

**BR980-9505**

Includes:

- Hysto Tubing Set
- OB Drape w/Pouch
- 60cc Syringe
- Endo Cleaning Brush

	<p><b>Disposable Hysteroscopy Distension Tubing Set with Syringe</b>  <b>BR980-9510</b> • <i>qty: 5/box</i></p> <ul style="list-style-type: none"> <li>• 60cc Syringe • 24" Distension Tube with Luer Connectors • Sterile • Easy set-up and use • Economical</li> <li>• Works with all sheaths and scopes with continuous flow capability</li> </ul>
	<p><b>Disposable Hysteroscopy Tubing Set</b>  <b>BR980-9200</b> • <i>qty: 10/box</i></p> <ul style="list-style-type: none"> <li>• For single solution bag • Sterile • Easy set-up and use • Economical</li> <li>• Works with all sheaths and scopes with continuous flow capability</li> </ul>
	<p><b>Fluid Canister</b>  <b>BR980-9240</b> • <i>qty: 5/box</i></p> <ul style="list-style-type: none"> <li>• For safe disposal of liquids and body fluids</li> </ul>
	<p><b>Endoscopic Cleaning Brush</b>  <b>BR980-9010</b> • <i>qty: 10/box</i></p> <ul style="list-style-type: none"> <li>• Disposable • Non-sterile • Ø 1.5mm x 180cm (brush Ø 3.0mm)</li> <li>• Keeps working channel clean and free of debris</li> </ul>
	<p><b>Hysteroscopy OB Drape with Pouch</b>  <b>BR980-9222</b> • <i>qty: 5/box</i></p> <ul style="list-style-type: none"> <li>• Non-Sterile • Barrier for safely managing liquids and body fluids and expedites clean up</li> </ul>
	<p><b>Video Camera Drape</b>  <b>BR980-9210</b> • <i>qty: 5/box</i></p> <ul style="list-style-type: none"> <li>• Sterile • Barrier for safely managing liquids and body fluids and expedites clean up</li> </ul>
	<p><b>Endoscope Sterilization Tray</b>  <b>BR970-2000-000</b> • <i>qty: 1/box</i></p> <ul style="list-style-type: none"> <li>• Plastic • With silicone scope holders for rigid scopes • 17-1/2" L x 1-3/4" H x 3-1/2" W</li> </ul>
	<p><b>Sealing Cap</b>  <b>BR980-92689</b> • <i>qty: 5</i></p> <ul style="list-style-type: none"> <li>• For Hysteroscopy &amp; Cystoscopy Sheaths</li> </ul>
<p><b>Lubrication should be done each time before for sterilization.</b> Instruments should be soaked or sprayed with water soluble instrument milk or use BR Surgical's Johnny-Lube (BR82-98000-04, BR82-98000-03, BR82-98000-02) on the stopcocks, hinges and sliding parts of the instruments and sheaths. This helps the instruments move freely during use. Johnny-Lube is especially useful on stopcocks and instruments with box locks and hinged type mechanisms. The instrument lubricant also helps build up a Passivation layer on the instrument surface. This layer acts like a wax coating to help resist blood, debris and or other protein matter from sticking to the instruments. It also helps resist mineral deposits on the instrument surface. Silicon or Petroleum based lubricants are not recommended for surgical instruments. Instruments can now be made ready for the sterilizer.</p>	
	<p><b>Instru Care Instrument Lubricant &amp; Protectant</b>  <b>BR82-98000-02</b> • <i>qty: 1</i></p> <ul style="list-style-type: none"> <li>• 13.5 Fluid Ounce Aerosol Spray Can</li> </ul>
	<p><b>Johnny-Lube Instrument Lubricant &amp; Protectant</b>  <b>BR82-98000-04</b> • <i>qty: 1</i></p> <ul style="list-style-type: none"> <li>• 4 Fluid Ounce Spray Bottle</li> </ul>
	<p><b>Johnny-Lube Instrument Lubricant &amp; Protectant</b>  <b>BR82-98000-03</b> • <i>qty: 1</i></p> <ul style="list-style-type: none"> <li>• .5 Fluid Ounce Plastic Bottle</li> </ul>



BR Surgical offers over 18,000 surgical instruments as well as instrument sets for procedures. Contact us today at (888) 642-1366 or (904) 642-1366 or visit us online at [www.brsurgical.com](http://www.brsurgical.com)

3500 Beachwood Court • Suite 107 • Jacksonville, Florida 32224  
Tel: (904) 642-1366 • Fax: (904) 642-1368 • Toll Free: (888) 642-1366  
[www.brsurgical.com](http://www.brsurgical.com)